

INSTALLATION INSTRUCTIONS

STRATUS HIGH BAY (CMT mount)



54-113884-00 CMT



NOTE:

This fixture is intended for installation in accordance with the National Electric Code and local code specifications. Failure to adhere to these codes and instructions may result in serious injury and/or damage to fixture, voiding the warranty. These instructions are to be used as a reference for all installations. Should specific problems occur that are not addressed by these instructions, contact your local sales representative or distributor for assistance. Retain these instructions for future reference.



INSTRUCTIONS PERTAINING TO THE RISK OF FIRE OR INJURY TO PERSONS:




Lighted fixture is hot. To reduce risk of injury to persons, turn off or disconnect fixture and allow to cool before handling. Luminaire must be grounded in accordance with appropriate codes. Failure to do so may result in serious injury or death. Be sure all power is off prior to installing luminaire. Maximum fixture weight is ~50 pounds for largest version.

Wiring Instructions

The following instructions are for wiring the Stratus to a 120 through 277VAC, 50/60 Hz or 347 through 480VAC, 50/60 Hz input and should only be performed by a qualified electrician.

1. The standard Stratus ceiling mount (CMT) fixture has a 12" power cable with three 18AWG wires connected at the driver junction box (dimnable fixture has five 18AWG wires). Fixture wires should be connected to incoming power wires with connections contained within a recessed junction box in ceiling or mounting surface in accordance with NEC best practice.
2. Be sure that the wires are not used for hanging the fixture while making connections. Strain-relief cable is provided for fixture support during wiring connections (see next page).
3. Wire the power (and optional dimming) input wires to the corresponding line voltage and dimming controller (not included).
4. Care should be taken to avoid pinching wires and to assure that the field wiring is properly strained relieved according to NEC best practices.

Power Input

-  **Black = 120-277VAC or 347-480VAC Line**
-  **White = Neutral/Common**
-  **Green = Ground**

0-10V Dimming (Optional)

-  **Purple (Positive)**
-  **Gray (Negative)**

INSTALLATION INSTRUCTIONS

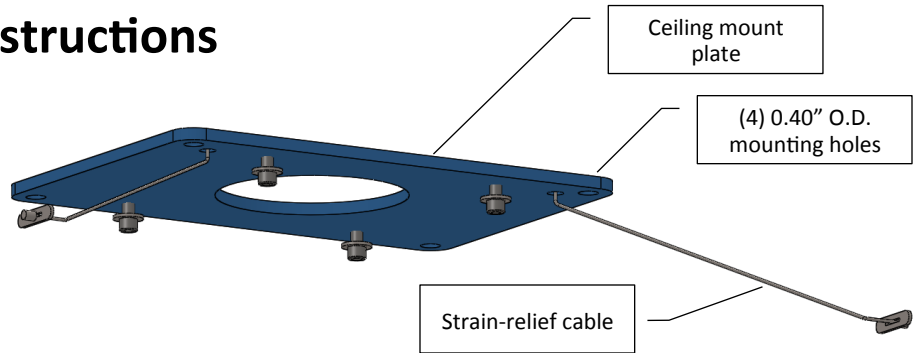
STRATUS HIGH BAY (CMT mount)



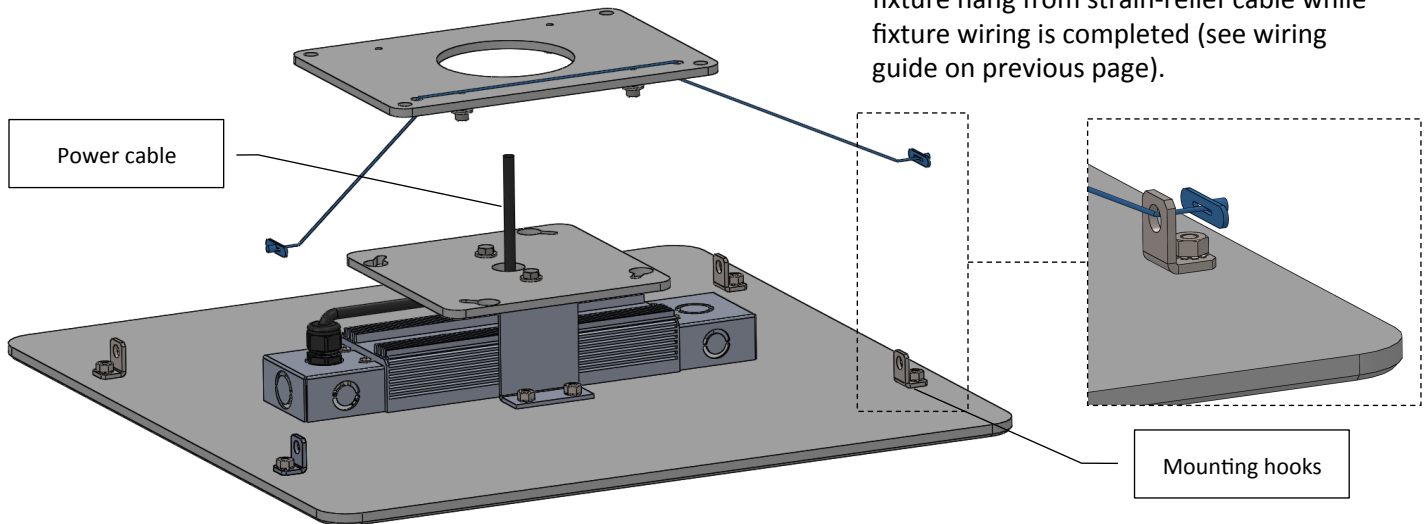
54-113884-00 CMT

CMT Ceiling Mount Instructions

Install ceiling mount plate with strain-relief cable to ceiling or mounting surface via (4) 0.40" diameter holes at corner of plate (mounting screws not provided). Leave socket cap screws and washers installed in plate. Center strain-relief cable on plate.



Insert ends of strain-relief cable into two of the mounting hooks on the fixture. Let fixture hang from strain-relief cable while fixture wiring is completed (see wiring guide on previous page).



Insert socket cap screws and washers through (4) key slots on fixture plate. Rotate into locked position of key slots and tighten (4) socket cap screws. Ensure power cable is not pinched between mounting and fixture plates.

