

ECLIPSE



WARNING! BEFORE YOU BEGIN.

Read the following instructions completely



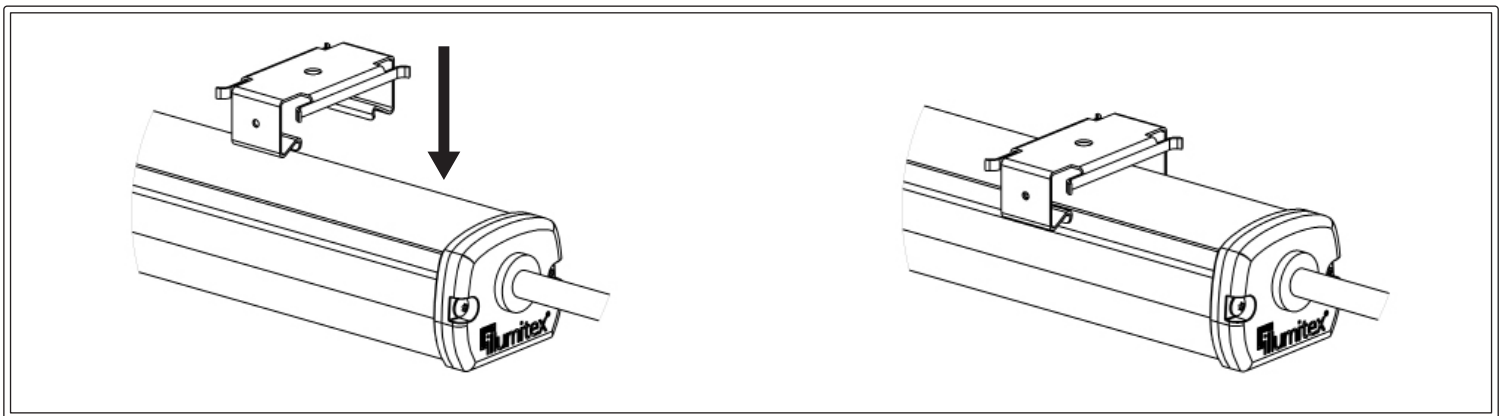
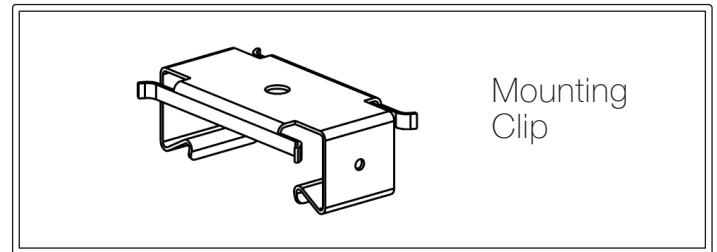
RISK OF FIRE OR ELECTRIC SHOCK

- Turn off power before beginning installation process
- Properly ground fixture per wiring diagram
- Follow all NEC and local electrical codes
- Do not make any modifications or alterations to luminaire
- Fixture may fall if not installed properly, follow installation instructions
- Wear safety glasses and proper aid during installation and maintenance
- Failure to follow these instructions may result in damaged fixture and/or voided warranty
- Should specific problems occur that are not addressed in these instructions, contact local sales representative or distributor
- Retain these instructions for future reference

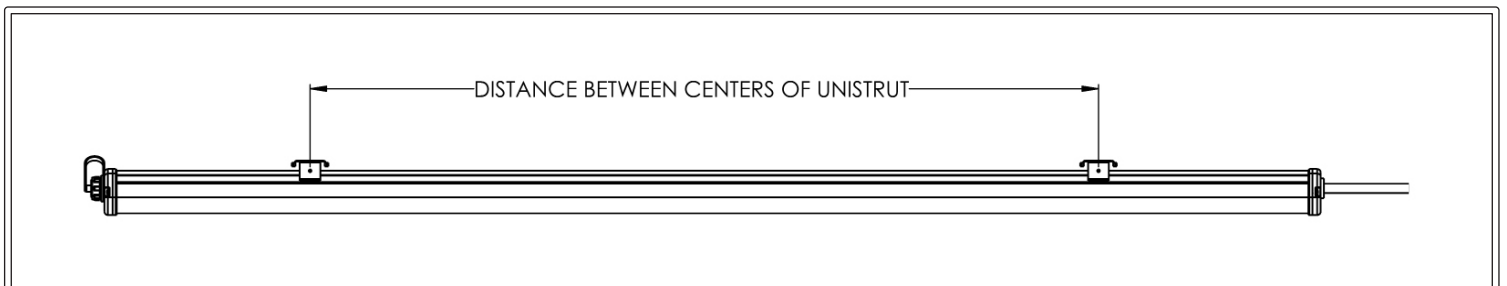
INSTALLATION INSTRUCTIONS

Mounting Instructions

Each Eclipse horticulture luminaire ships with (2) universal mounting clips. Universal mounting clips can be installed on unistrut or hard mounted to upper surface or racking system with screws (not provided).



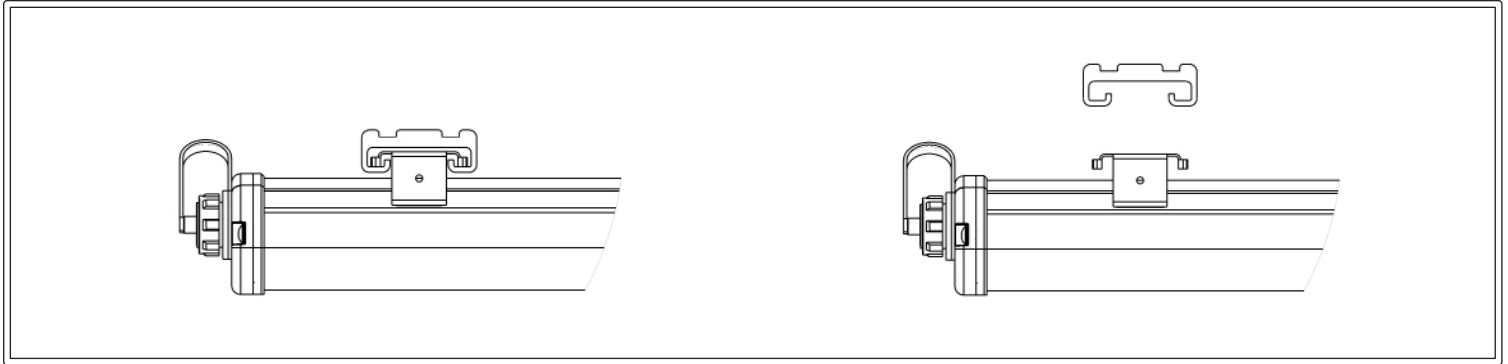
Snap universal mounting clips onto top side of extruded aluminum housing of Eclipse luminaire, opposite LED side. Mounting clips may be installed prior to installing fixture if unistrut is being used.



Distance between mounting clips to be equal to spacing between unistrut beams. Recommended spacing is 36 inches.

ECLIPSE

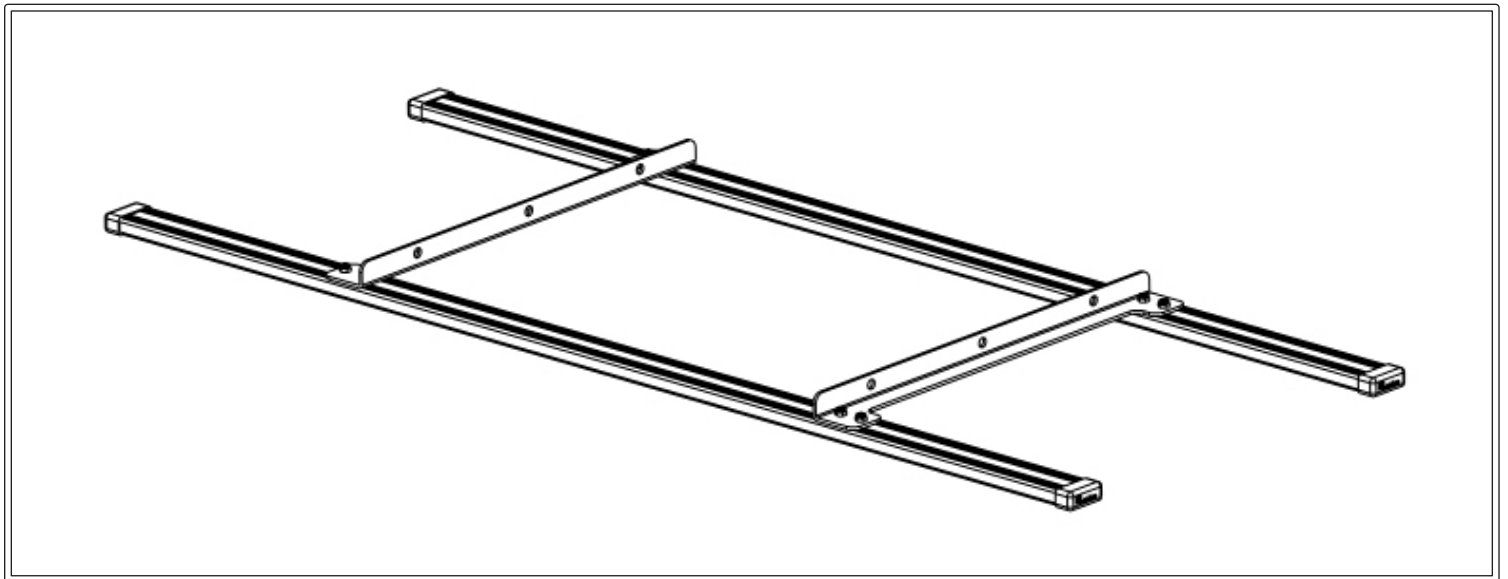
INSTALLATION INSTRUCTIONS



Illumitex Trax low-profile, extruded aluminum unistrut shown.

Slide mounting clips attached to Eclipse luminaire (or prior to attaching to luminaire) into unistrut beams as shown.

Note: When daisy-chaining fixtures together in runs, remember to alternate bar ends so that cable end of previous bar is adjacent to receptacle end of following bar. See chart on page 5 for maximum daisy-chain runs.



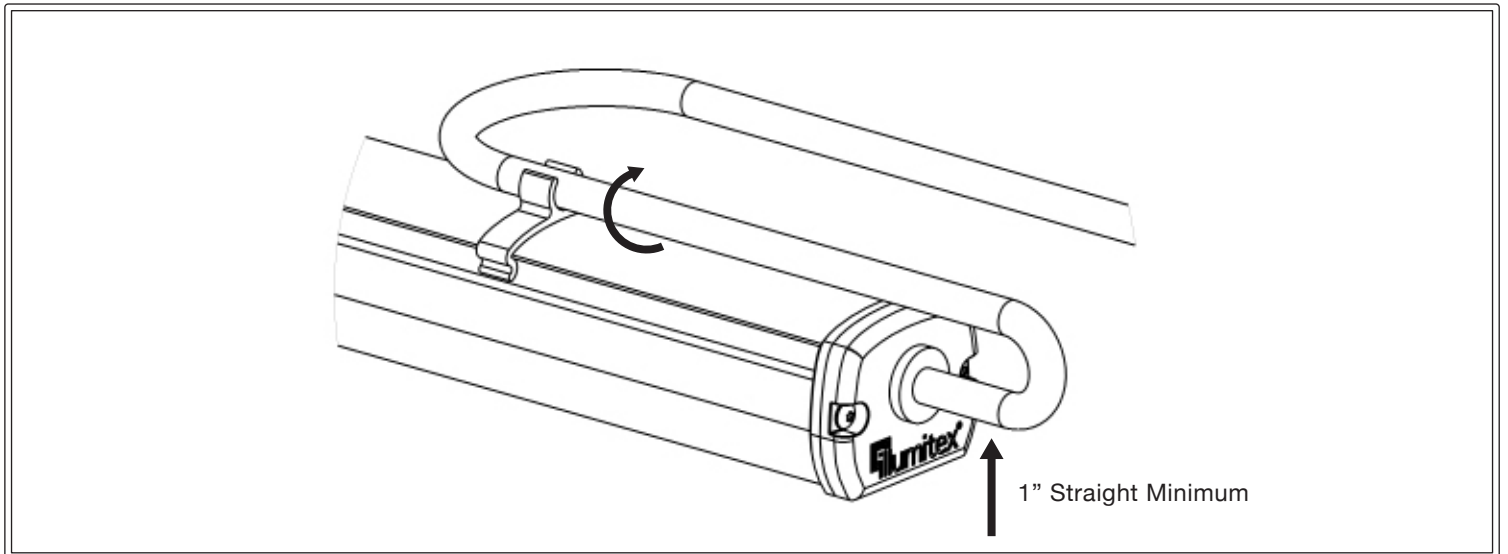
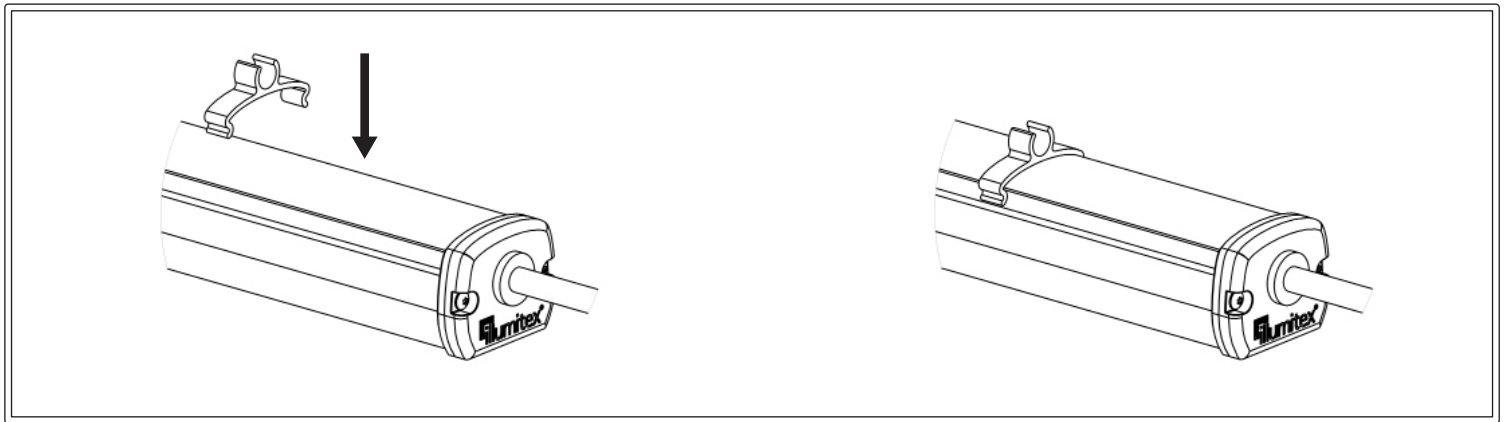
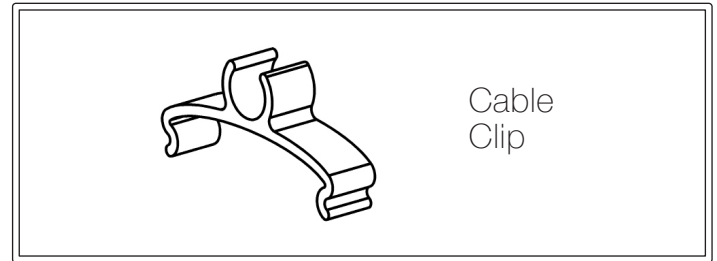
Use Trax mounting kit ESG2-MK-4 (shown above) for quick installation of up to 12 daisy-chained Eclipse luminaires (sold separately, see Accessories list on page 6).

ECLIPSE

INSTALLATION INSTRUCTIONS

Mounting Instructions

Each Eclipse horticulture luminaire ships with (1) cable clip. Snap cable clip onto top side of extruded aluminum housing of Eclipse luminaire, opposite LED side and near cable end.



Gently press Eclipse luminaire power and dimming cable into cable clip in a rolling motion as shown in example above, being careful not to cut or damage cable insulation.

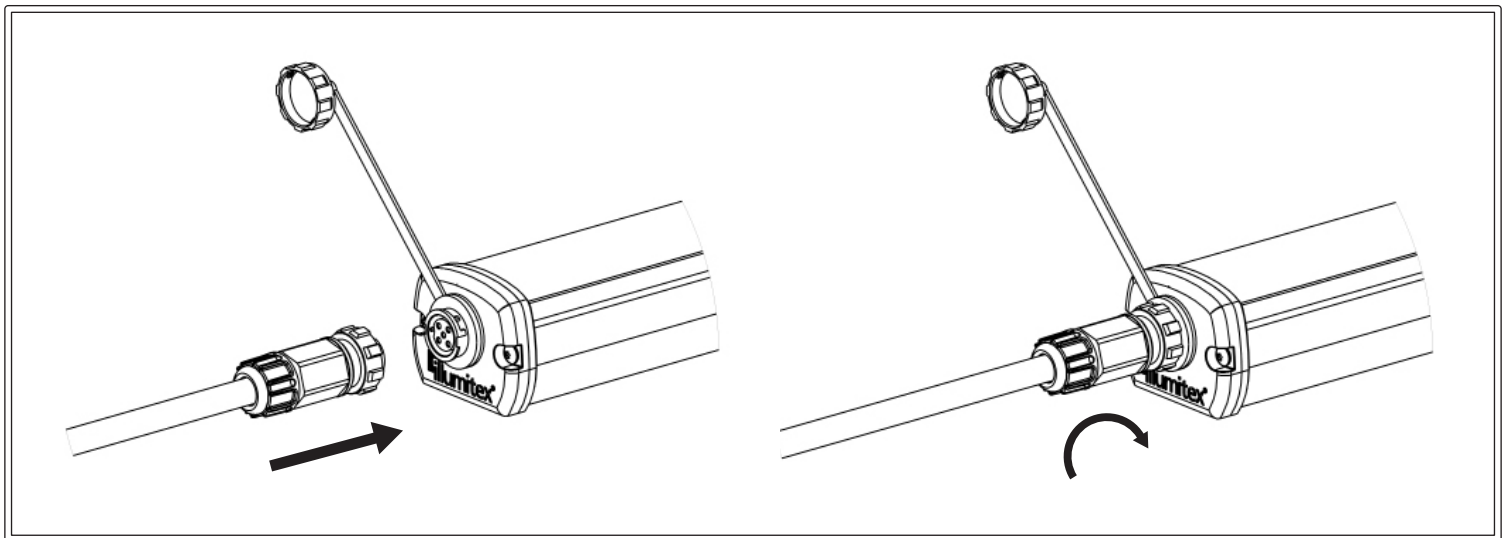
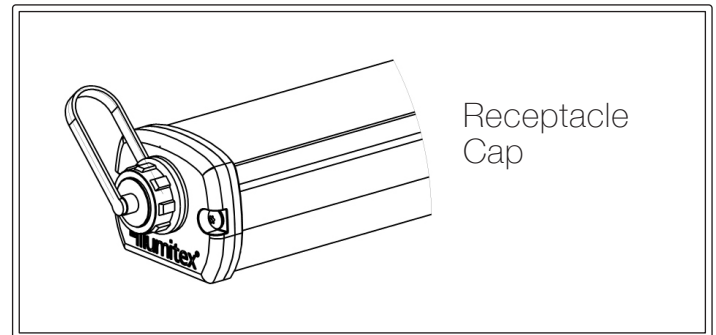
Note: Leave a minimum of 1 inch of cable coming straight out of luminaire end before making first bend in cable.

EC LIPSE

INSTALLATION INSTRUCTIONS

Daisy-Chaining Luminaires

Each Eclipse horticulture luminaire ships with a receptacle cap installed on the end, opposite the power and dimming cable. The receptacle cap provides a watertight seal to the luminaire when it is not connected to another fixture.



To connect luminaires in a daisy-chain, install luminaires in alternating directions and spaced accordingly (18" maximum). Remove receptacle cap from all fixtures except the last. Connect (1) CE5-10CH1 input power and dimming cable to first luminaire. Insert male connector from next luminaire into opposite end of first luminaire. Repeat throughout entire daisy-chain.

Note: Be sure to fully seat male connector into receptacles and twist locking ring into place to secure connection. Pull lightly on each connection to ensure they are locked.

Maximum Daisy-chain Limits

Model number	Maximum luminaires in daisy-chain (120Vac)	Maximum luminaires in daisy-chain (277Vac)
ESN14808	20	40
ESN14812	15	30
ESW14812	15	30

ECLIPSE

INSTALLATION INSTRUCTIONS

Wiring

CAUTION: MAKE SURE POWER IS OFF BEFORE BEGINNING.

Each Eclipse horticulture luminaire includes a 24" power and dimming feed cable with a watertight 5-pin, locking connector. Each daisy-chain run of luminaires will require (1) CE5-10CH1 input power and dimming cable (sold separately, see Accessories list below).

Connect flying leads of CE5-10CH1 input power and dimming cable to power and dimming inputs within an electrical junction box (not provided) per NEC and local codes. Field wiring to be properly strain-relieved per NEC and local codes.

Eclipse luminaire drives accept input voltage between 120 and 277Vac (50/60Hz).

Wiring connection to CE5-10CH1 are as follows:

- Black wire - 120 to 277Vac line
- White wire - Neutral/common line
- Green wire - Ground
- Red wire - 0-10V dimming (+)
- Orange wire - 0-10V dimming (-)

Accessories

Model number	Description
CE5-10CH1	10-ft power and dimming input cable; one connector & flying leads
CE5-10CH2	10-ft bar-to-bar extension cable; two connectors
ESG2-MK-4	4-ft TRAX mounting kit (accommodates up to 12 Eclipse luminaires)
ESG2-MK-2	2-ft TRAX mounting kit (accommodates up to 6 Eclipse luminaires)
ESG2-ST-8	8-ft TRAX unistrut extrusions (2); un-machined